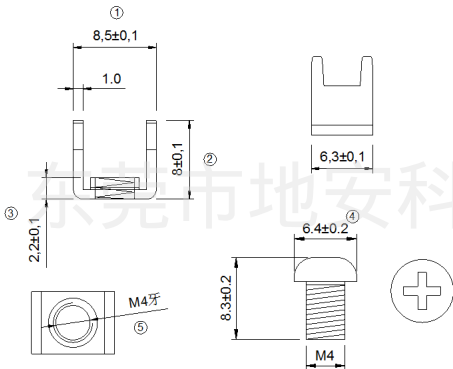




东莞市地安电子科技有限公司
DONGGUAN CITY DIERAN ELECTRONICS CO.,LTD

REVISION RECORD				
REV.	DESCRIPTION	ECN NO.	APPROVED	DATE



项目/参数	
额定电压 (Rated Voltage) [V]	300
额定电流 (Rated Current) [A]	10
螺丝/扭矩 (Screw Torque Max)	M4.0/0.7 (N.m)
导体材料 (Contact Material)	黄铜 (Brass)
导体表面镀层 (Contactive Coating)	镀镍/锡 (Nickel Plating/Dumb tin)
间距 (Pitch) [mm]	7.6
工作温度 (Operating temperature) [°C]	-40°C ~ +106°C
焊接温度 (Soldering temperature) [°C]	280°C/6S

Linear dimension Tolerances Standard GB/T 14486-2008										
variable range	6		10		30		60		100	
	to	to	to	to	to	to	to	to	to	
tolerance	±0.30	±0.30	±0.30	±0.30	±1.00	±1.30	±1.60	0.30	0.30	0.30

单位/UNIT	mm	尺寸/DIM	A4	比例/SCALE	1:1	第三角/3RD ANGLE PREFERRED	版本/REV	页
东莞市地安电子科技有限公司							名称/TITLE	DAC (M4)