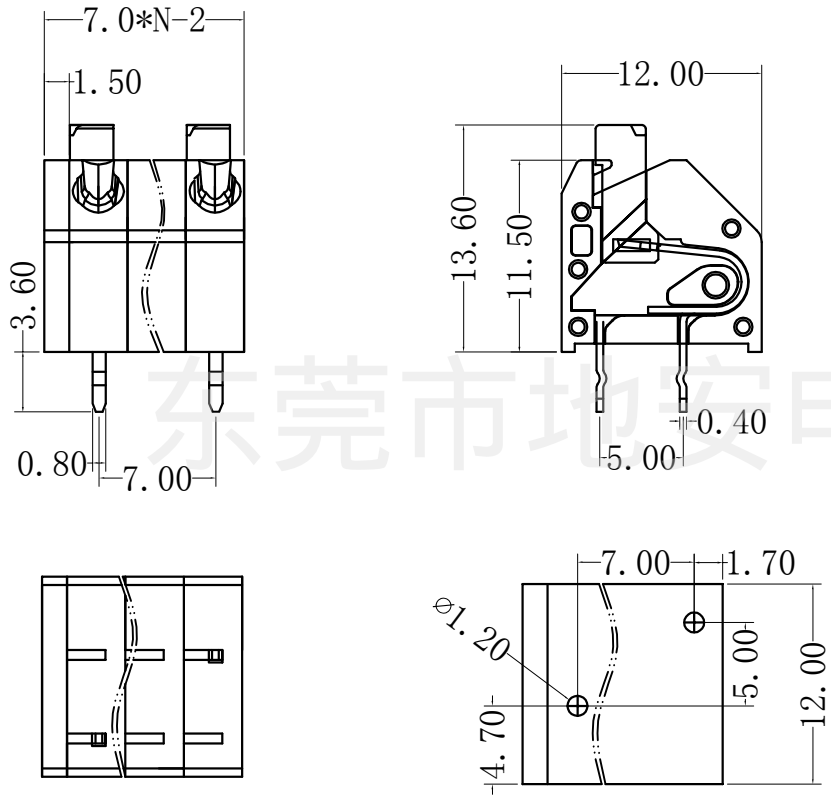




东莞市地安电子科技有限公司  
DONGGUAN CITY DIERAN ELECTRONICS CO.,LTD

REVISION RECORD				
REV.	DESCRIPTION	ECN NO.	APPROVED	DATE



项目/参数/认证					
额定电压 (Rated Voltage) [V]	300	450	450	300	250
额定电流 (Rated Current) [A]	6	9	9	6	6
额定线经平方 (Wire Range mm <sup>2</sup> )	0.2-1.5	0.2-0.75	0.2-0.75	0.2-1.5	0.2-0.75
额定线经线号 (Wire Range AWG)	24-16	24-18	24-18	24-16	24-18
冲击电压 Impulse withstand voltage	2.5 (KV)				
剥线长度 (Stripping Length) [mm]	10-11 (mm)				
绝缘材料 (Insulation Material)	PA66 UL94V-0				
导体材料 (Contactor Material)	磷铜 (Phosphor Copper)				
导体表面镀层 (Contactive Coating)	镀锡 (Dumb tin)				
间距 (Pitch) [mm]	3.5/7.0				
级数 (Poles) [P]	2-32P				
工作温度 (Operating temperatur) [°C]	-40°C ~ +105°C				
焊锡温度 (Soldering temperature) [°C]	250°C / 5S				

linear dimension (Tolerances Standard GB/T 14486-2008)								—		
variable range	to 6	over 6 to 10	over 10 to 30	over 30 to 60	over 60 to 100	over 100 to 160	over 160 to	to 10	over 10 to 100	over 100 to
tolerance	±0.20	±0.30	±0.50	±0.70	±1.00	±1.30	±1.60	0.10	0.30	0.60

单位/UNITS	mm	尺寸/SIZE	A4	比例/SCALE	1:1	第三视角/THIRD ANGLE PROJECTION		版本/REV	V0	
东莞市地安电子科技有限公司							名称/TITLE	DA250-7.0		