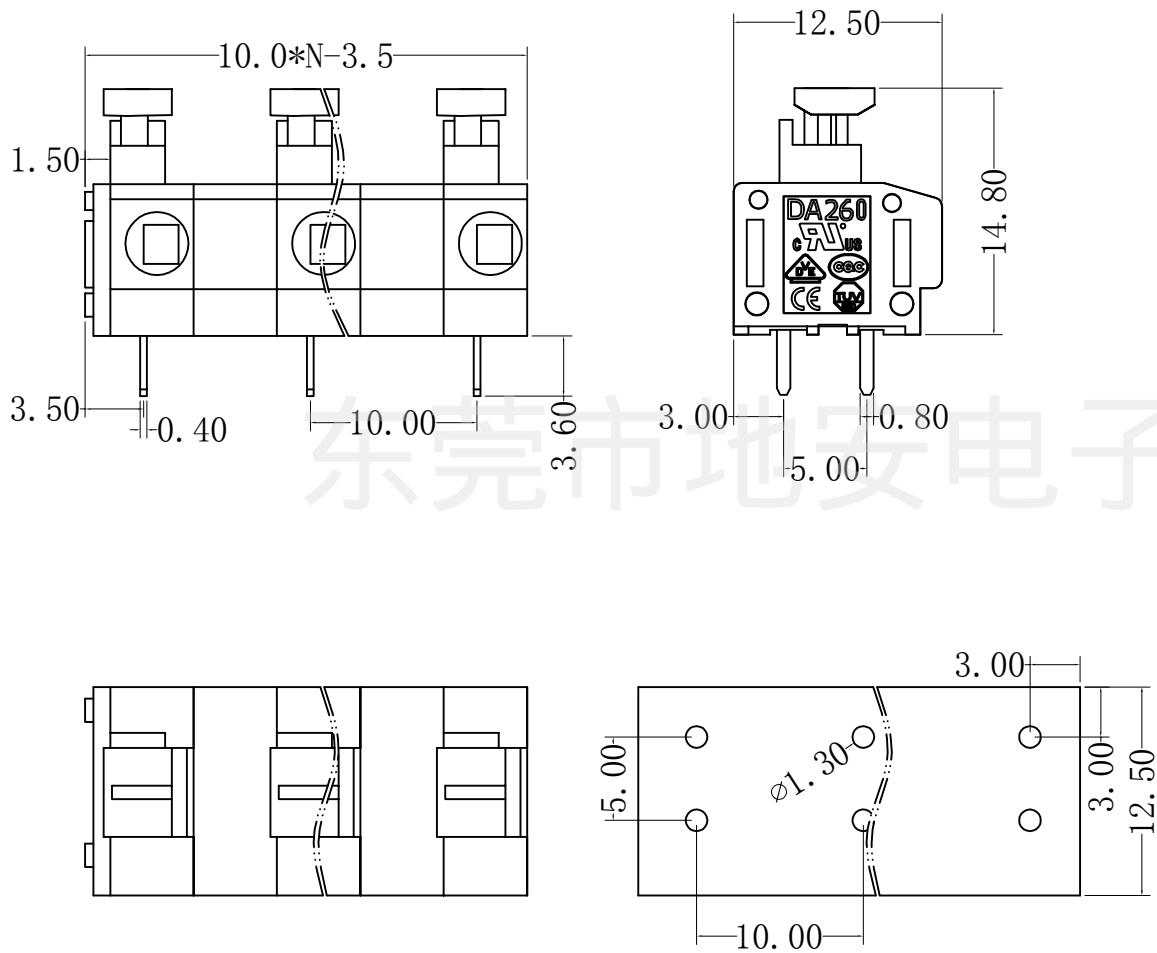




东莞市地安电子科技有限公司
DONGGUAN CITY DIERAN ELECTRONICS CO.,LTD

REVISION RECORD				
REV.	DESCRIPTION	ECN NO.	APPROVED	DATE



项目/参数/认证					
额定电压 (Rated Voltage) [V]	450	450	450	600	300
额定电流 (Rated Current) [A]	24	24	24	15	10
额定线经平方 (Wire Range mm ²)	0.2-2.5	0.2-2.5	0.2-2.5	0.5-2.5	0.5-1.5
额定线经线号 (Wire Range AWG)	24-14	24-14	24-14	20-14	20-16
冲击电压 Impulse withstand voltage	4 (KV)				
剥线长度 (Stripping Length) [mm]	9-10 (mm)				
绝缘材料 (Insulation Material)	PA66 UL94V-0				
导体材料 (Contactor Material)	黄铜 (Brass)				
导体表面镀层 (Contactive Coating)	镀锡 (Dumb tin)				
间距 (Pitch) [mm]	3.81/5.0/7.5/10.0				
级数 (Poles) [P]	2-32P				
工作温度 (Operating temperatur) [°C]	-40°C ~ +105°C				
焊锡温度 (Soldering temperature) [°C]	250°C / 5S				

linear dimension (Tolerances Standard GB/T 14486-2008)								—		
variable range	to 6	over 6 to 10	over 10 to 30	over 30 to 60	over 60 to 100	over 100 to 160	over 160 to 100	to 10	over 10 to 100	over 100 to 100
tolerance	±0.20	±0.30	±0.50	±0.70	±1.00	±1.30	±1.60	0.10	0.30	0.60

单位/UNITS	mm	尺寸/SIZE	A4	比例/SCALE	1:1	第三视角/THIRD ANGLE PROJECTION	名称/TITLE	版本/REV	VO
东莞市地安电子科技有限公司							DA260-10.0		