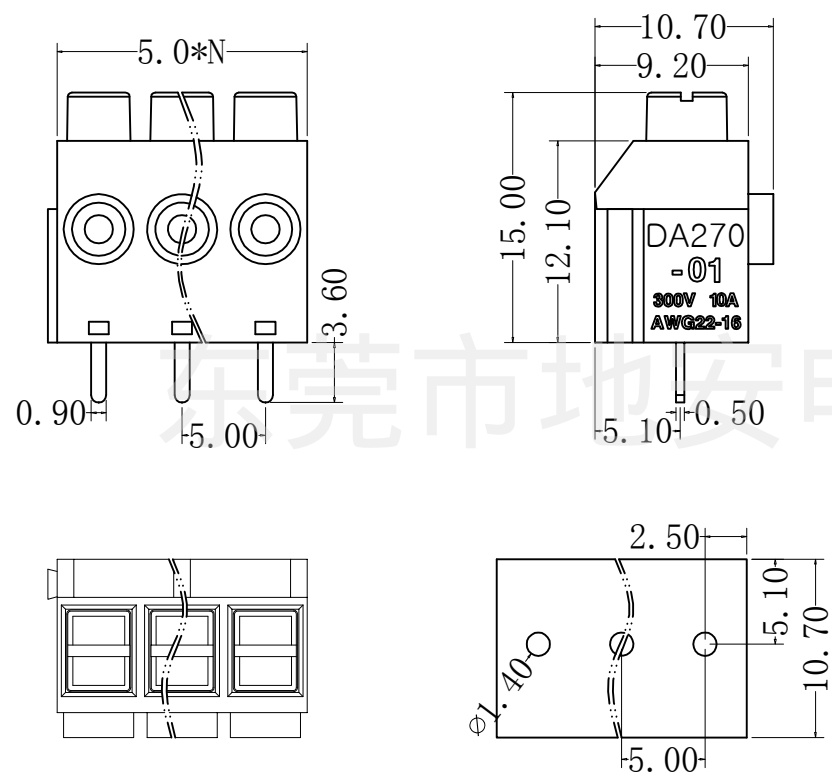




东莞市地安电子科技有限公司
DONGGUAN CITY DIERAN ELECTRONICS CO.,LTD

REVISION RECORD				
REV.	DESCRIPTION	ECN NO.	APPROVED	DATE



项目/参数/认证	GEC	TUV	CE	UL	VDE
额定电压(Rated Voltage) [V]	450			300	300
额定电流(Rated Current) [A]	10			15	17.5
额定线经平方(Wire Range mm ²)	0.2-1.5			0.34-1.5	0.2-1.5
额定线经线号(Wire Range AWG)	24-16			22-16	24-16
冲击电压 Impulse withstand voltage	4 (KV)				
剥线长度(Stripping Length) [mm]	9-10 (mm)				
绝缘材料(Insulation Material)	PA66 UL94V-0				
导体材料(Contactor Material)	黄铜 (Brass)				
导体表面镀层(Contactive Coating)	镀锡 (Dumb tin)				
间距(Pitch) [mm]	5.0				
级数(Poles) [P]	2-32P				
工作温度(Operating temperatur) [°C]	-40°C ~ +105°C				
焊锡温度(Soldering temperature) [°C]	250°C / 5S				

linear dimension (Tolerances Standard GB/T 14486-2008)							—	∕	⊥	
variable range	to 6	over 6 to 10	over 10 to 30	over 30 to 60	over 60 to 100	over 100 to 160	to 10	over 10 to 100	over 100 to	
tolerance	±0.20	±0.30	±0.50	±0.70	±1.00	±1.30	±1.60	0.10	0.30	0.60

单位/UNITS	mm	尺寸/SIZE	A4	比例/SCALE	1:1	第三视角/THIRD ANGLE PROJECTION	名称/TITLE	版本/REV	V0
东莞市地安电子科技有限公司							DA270-01-5.0		